

WAFER BUTTERFLY VALVE

T.I.S.

PN 10/16 - Art. D104 EPDM Q

PN 10/16 - Art. D104 NBR Q

PN 10/16 - Art. D106 EPDM Q

PN 10/16 - Art. D106 NBR Q

VALVOLA A FARFALLA WAFER PN10/16

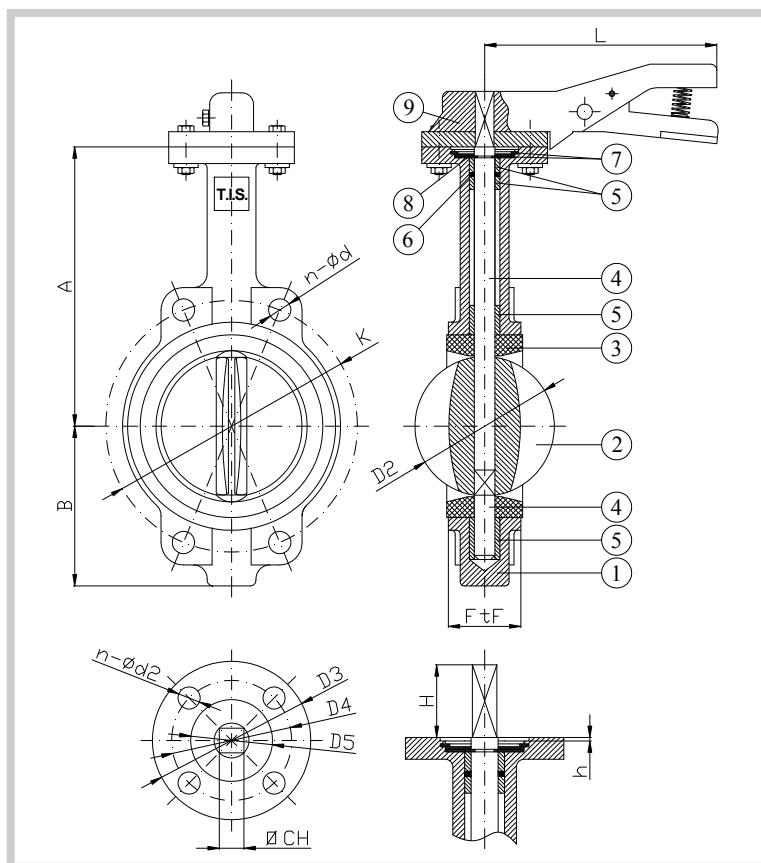
WAFER BUTTERFLY VALVE PN10/16

APPLICAZIONE:

Impianti idrici, riscaldamento, condizionamento e antincendio.

APPLICATION:

Water systems, heating, conditioning and fire prevention.



NORMA PROGETTO: EN 593, EN 1074-1 ed EN 1074-2
SCARTAMENTO: EN 558 Serie 20
FLANGE: EN 1092-2
COLLAUDI: EN 12266-1
FLANGIA SUPERIORE: ISO 5211
TEMP. ESERCIZIO: EPDM $\leq +120^{\circ}\text{C}$ NBR $\leq +80^{\circ}\text{C}$
DESIGN STANDARD: EN 593, EN 1074-1 and EN 1074-2
FACE TO FACE: EN 558 Series 20
FLANGES: EN 1092-2
TESTS: EN 12266-1
TOP FLANGE: ISO 5211
WORKING TEMP.: EPDM $\leq +120^{\circ}\text{C}$ NBR $\leq +80^{\circ}\text{C}$

DENOMINAZIONE
PARTMATERIALI
MATERIALS

| PART | MATERIALS | |
|----------------------|---|--------------------------------|
| | Art. D104 | Art. D106 |
| 1 CORPO BODY | EN-GJL 250 EN-GJL 250 | EN-GJS 400-15 EN-GJS 400-15 |
| 2 DISCO DISC | EN-GJS 400-15 EN-GJS 400-15 | INOX AISI 304 SS AISI 304 |
| 3 TENUTA SEAT | NBR o EPDM NBR or EPDM | |
| 4 ALBERO STEM | ACC. INOX AISI 420 (EN 1.4021) SS AISI 420 (EN 1.4021) | |
| 5 BOCCOLA BUSHING | FIBRA DI VETRO + PTFE FIBERGLASS + PTFE | |
| 6 O-RING O-RING | NBR NBR | |
| 7 SEEGER SEEGER | ACCIAIO STEEL | |
| 8 RONDELLA WASHER | ACC. INOX 304 (EN 1.4301) SS AISI 304 (EN 1.4301) | |
| 9 LEVA LEVER | EN-GJL 250 EN-GJL 250 | |

RIVESTIMENTO ESTERNO: Polvere epossidica di colore blu RAL 5015 con spessore 250 μm .

SURFACE PROTECTION: FBE coating process with epoxy resin powder of blue colour RAL 5015 and thickness of 250 μm .

| DN | K | n-ød | | D2 | D3 | D4 | D5 | n-ød2 | h | CH | H | A | B | L | FtF | Kv | W(kg) |
|-----|-----|------|-------|-----|-----|-----|----|-------|---|----|----|-----|-----|-----|-----|------|-------|
| | | PN10 | PN16 | | | | | | | | | | | | | | |
| 40 | 110 | 4-19 | 4-19 | 43 | 70 | 50 | 35 | 4-7 | 3 | 11 | 32 | 124 | 70 | 210 | 33 | 48 | 2.2 |
| 50 | 125 | 4-19 | 4-19 | 52 | 90 | 70 | 50 | 4-9 | 4 | 11 | 32 | 161 | 80 | 260 | 43 | 80 | 3.7 |
| 65 | 145 | 4-19 | 4-19 | 64 | 90 | 70 | 50 | 4-9 | 4 | 11 | 32 | 175 | 89 | 260 | 46 | 131 | 4.0 |
| 80 | 160 | 8-19 | 8-19 | 79 | 90 | 70 | 50 | 4-9 | 4 | 11 | 32 | 181 | 95 | 260 | 46 | 290 | 4.5 |
| 100 | 180 | 8-19 | 8-19 | 104 | 90 | 70 | 50 | 4-9 | 4 | 14 | 35 | 200 | 114 | 260 | 52 | 510 | 6.0 |
| 125 | 210 | 8-19 | 8-19 | 123 | 90 | 70 | 50 | 4-9 | 4 | 14 | 35 | 213 | 127 | 260 | 56 | 715 | 7.0 |
| 150 | 240 | 8-23 | 8-23 | 155 | 90 | 70 | 50 | 4-9 | 4 | 14 | 35 | 226 | 139 | 260 | 56 | 1387 | 8.0 |
| 200 | 295 | 8-23 | 12-23 | 202 | 125 | 102 | 70 | 4-12 | 4 | 17 | 40 | 260 | 175 | 360 | 60 | 2746 | 14.5 |